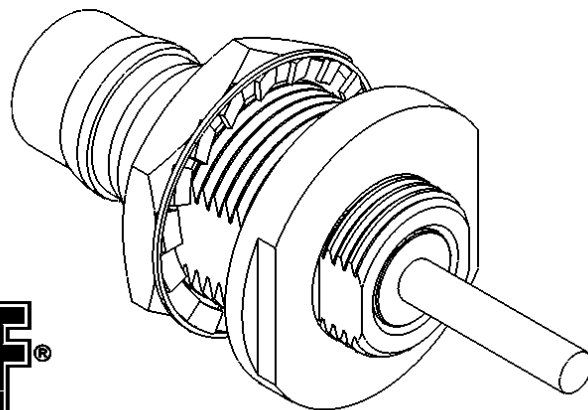
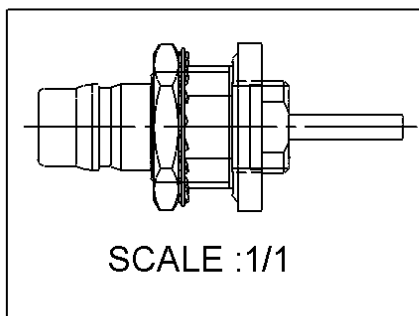
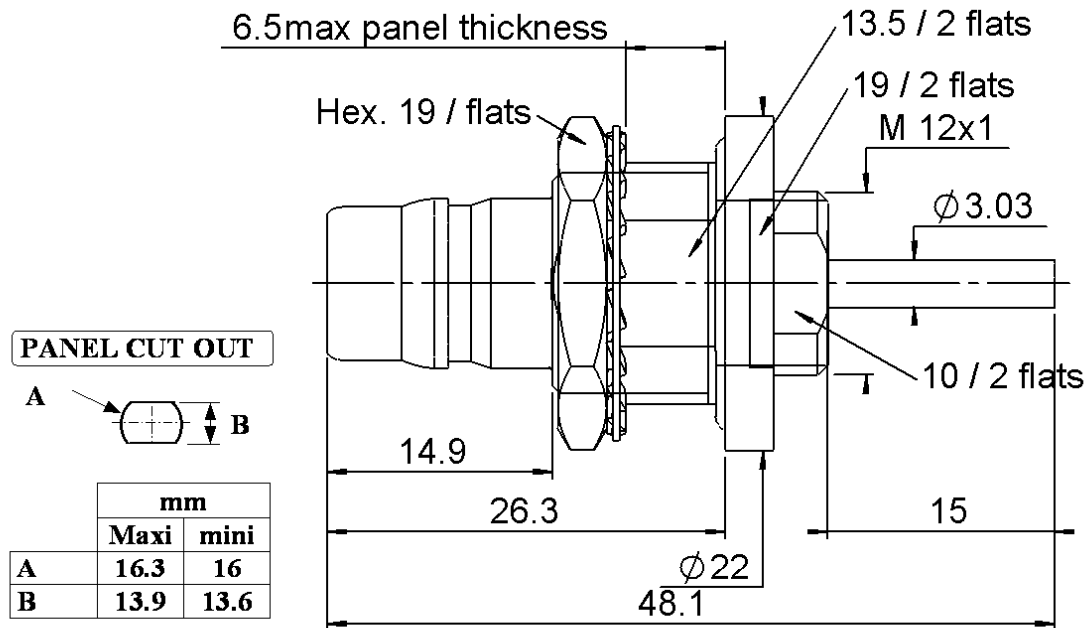


**STR. BULK. RECEPTACLE INTERNAL AND
PANEL SEAL REAR MOUNTING**

R164.606.020

Series : QN



All dimensions are in mm.



COMPONENTS	MATERIALS	PLATING (µm)
BODY	BRASS	BBR 2
CENTER CONTACT	BRONZE	NPGR
OUTER CONTACT		
INSULATOR	PTFE	
GASKET	SILICONE RUBBER	
OTHERS PARTS	BRASS	BBR 2
-	-	-
-	-	-

Issue : 0718 B

In the effort to improve our products, we reserve the right to make changes judged to be necessary.



**STR. BULK. RECEPTACLE INTERNAL AND
PANEL SEAL REAR MOUNTING**

R164.606.020

Series : QN

PACKAGING

Standard	Unit	Other
50	'W' option	Contact us

SPECIFICATION

ELECTRICAL CHARACTERISTICS

Impedance	50	Ω
Frequency	0-6	GHz
VSWR	1.6 + 0,0000	x F(GHz) Maxi
Insertion loss	0.35	\sqrt{F} (GHz) dB Maxi
RF leakage	- (90)	- F(GHz)) dB Maxi
Voltage rating	1000	Veff Maxi
Dielectric withstanding voltage	2000	Veff mini
Insulation resistance	5000	M Ω mini

ENVIRONMENTAL

Operating temperature	-55/+120	$^{\circ}$ C
Hermetic seal	NA	Atm.cm3/s
Panel leakage	IP68	

OTHER CHARACTERISTICS

Assembly instruction **NA**

Others :

Usable 0-11GHz

Coaxial transmission line only

RF Leakage: -80dB min 3<F<6GHz

MECHANICAL CHARACTERISTICS

Center contact retention		
Axial force – Mating end	18	N mini
Axial force – Opposite end	18	N mini
Torque	2.8	N.cm mini
Recommended torque		
Mating	NA	N.cm
Panel nut	500	N.cm
Mating life	100	Cycles mini
Weight	35,5100	g

Issue : 0718 B

In the effort to improve our products, we reserve the right to make changes judged to be necessary.

